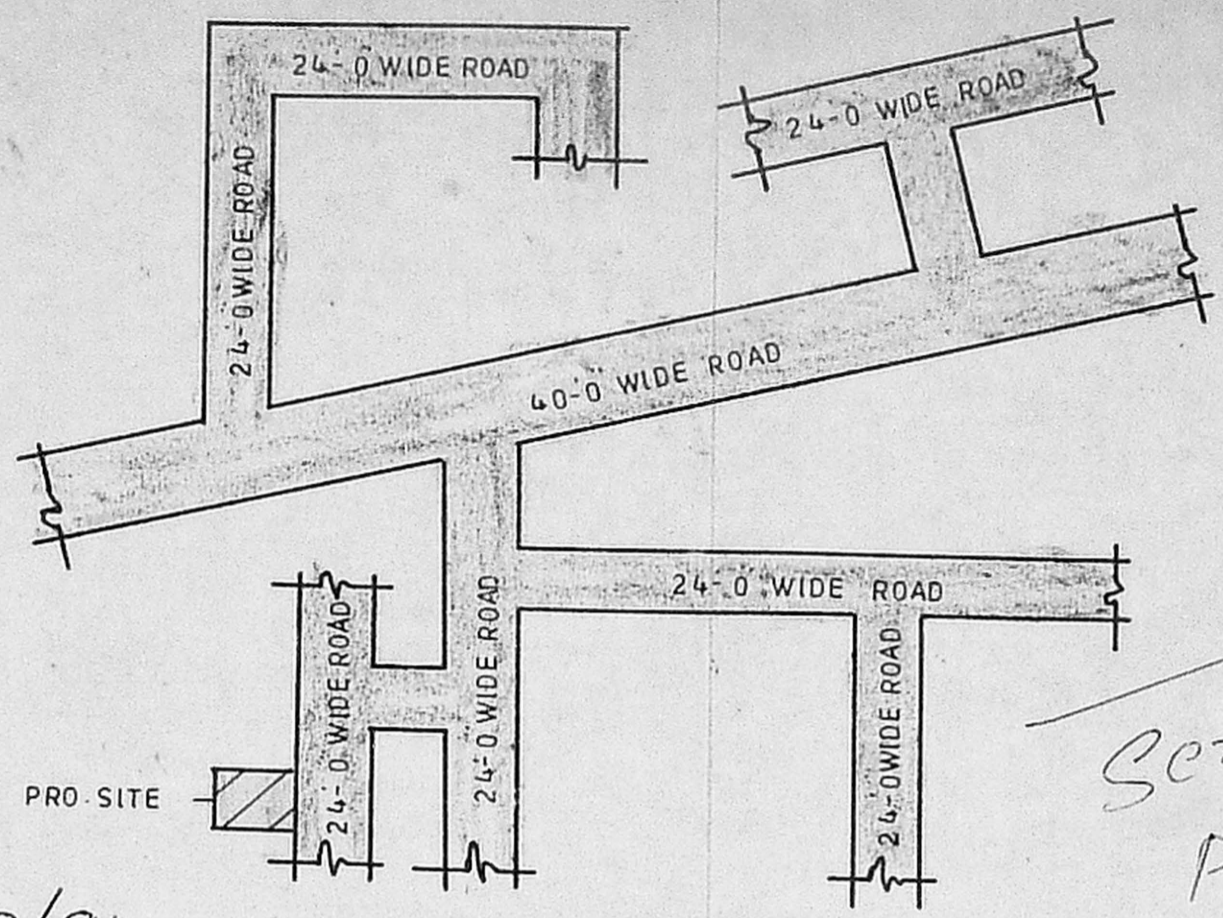


Section on @@ A/16383/279/94

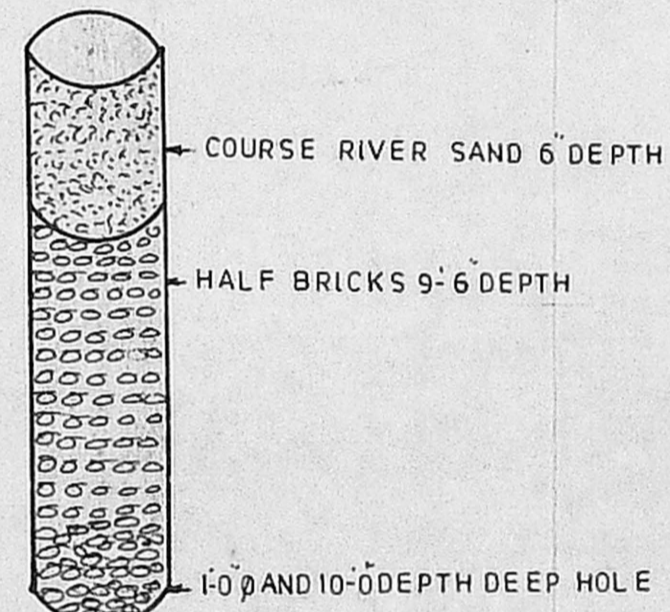


Key Plan (Not to Scale)

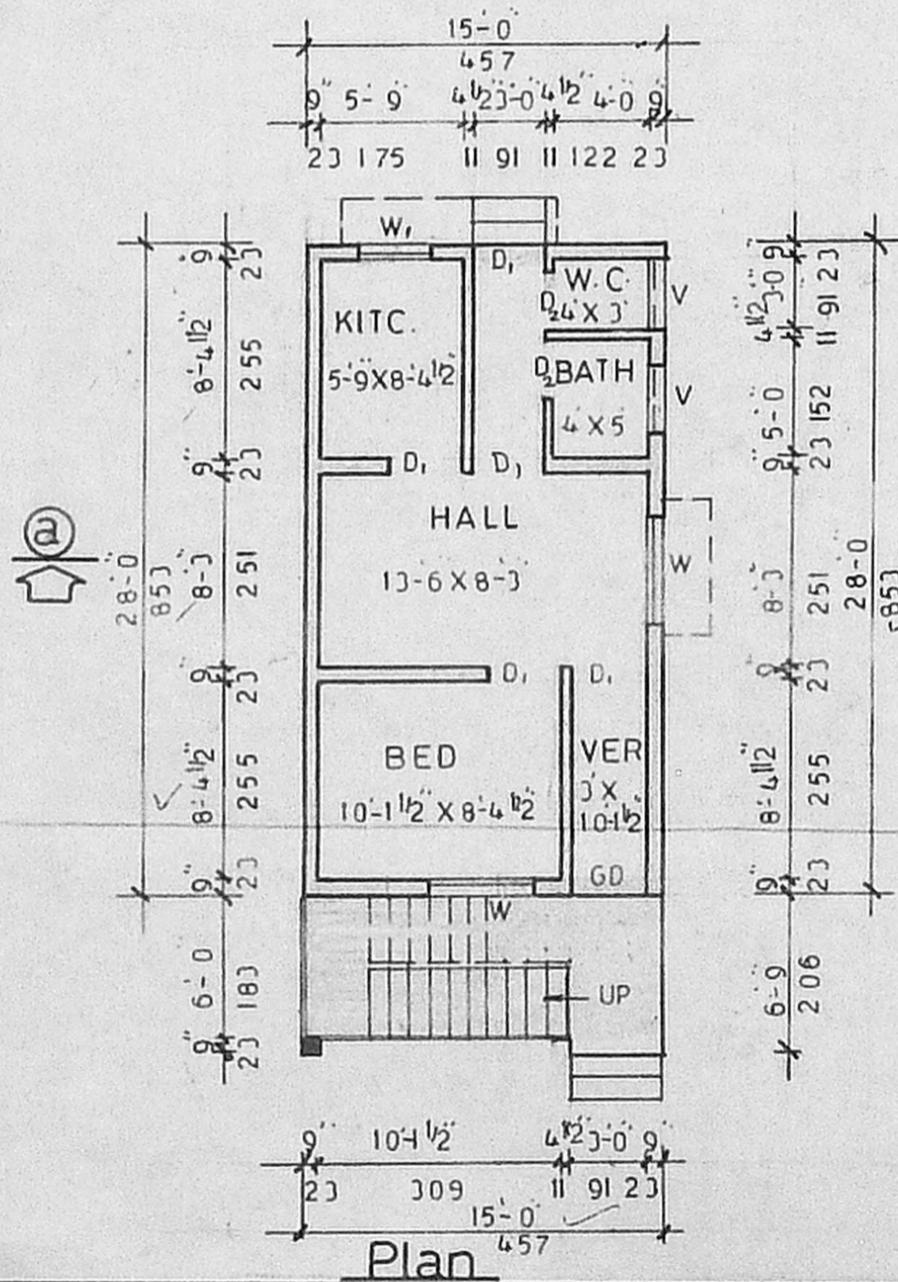
Secretary plan  
A/10386/94

03  
10/6/94

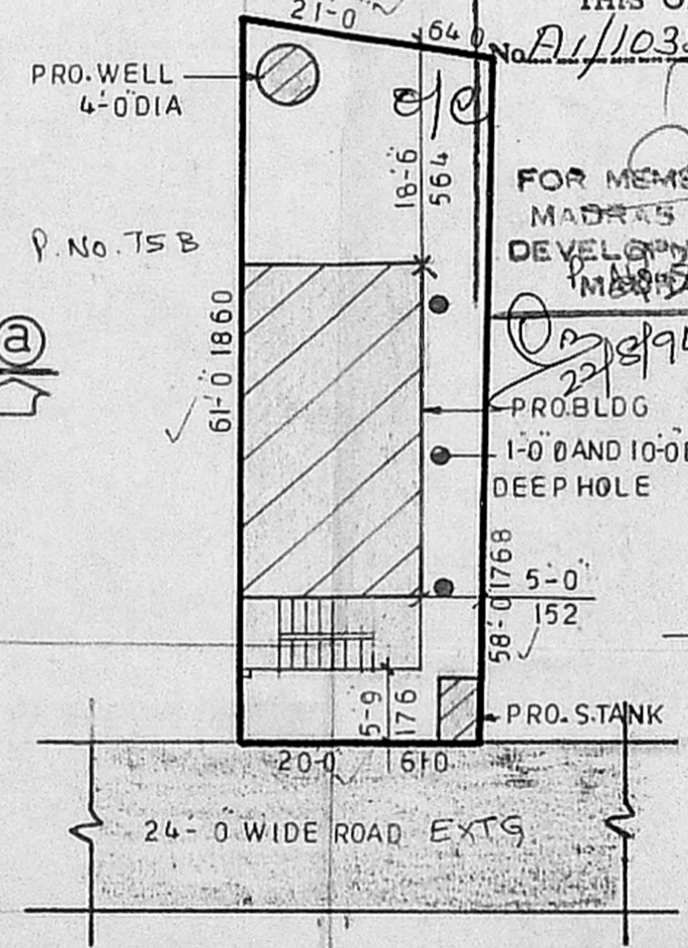
Planning Permit No. DT 8/94  
**APPROVED**  
SUBJECT TO THE CONDITIONS IN THIS OFFICE LETTER.  
No. A/10386/94 Date 23/8/94  
FOR MEMBER SECRETARY  
MADRAS METROPOLITAN  
DEVELOPMENT AUTHORITY  
MADRAS 600 008.



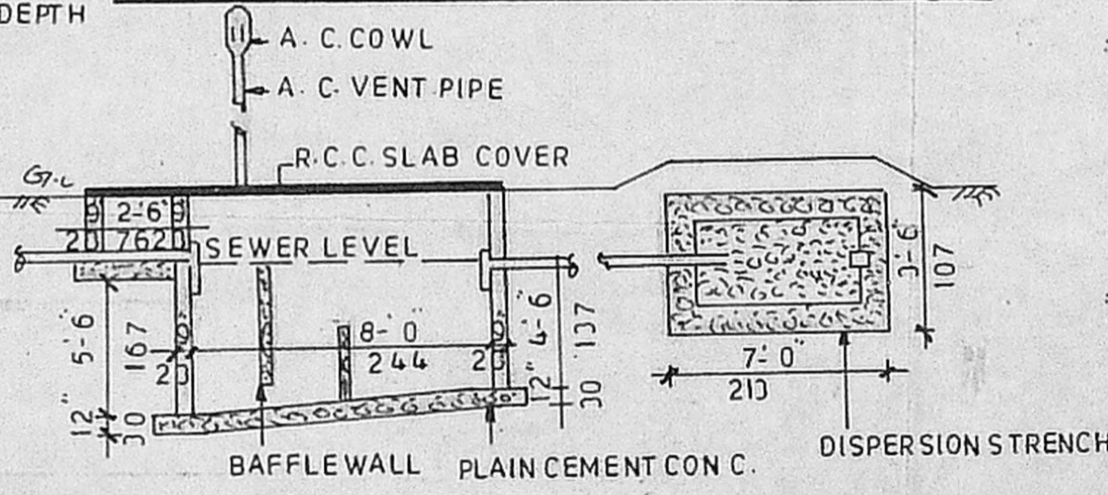
Details of Rainwater Savings



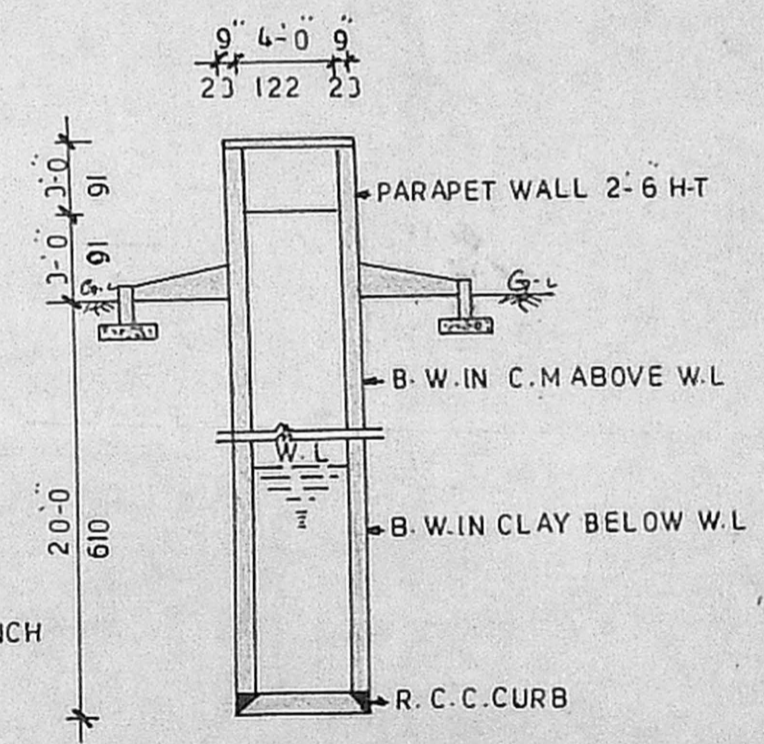
Plan



Site Plan Scale 1:16-0 (1:200)



Section of Septic tank



Section of Well 4-0 Dia

PLAN SHOWING THE PROPOSED BLDG. AT  
P. NO. 75 A, GANESH NAGAR, PUZHUTHIVAKKAM IN  
S. NO. 14/2 OF PUZHUTHIVAKKAM VILLAGE,  
ULLAGARAM PUZHUTHIVAKKAM TOWN PANCHAYAT  
LIMIT, SAIDAPET TALUK FOR Mr. P. Ganesan.

JOINERY DETAILS	
D. DOOR	3-0 X 7-0 91 X 213
D. DOOR	2-6 X 7-0 76 X 213
W. WINDOW	4-6 X 4-6 137 X 137
W. WINDOW	3-0 X 4-6 91 X 137
V. VENTILATOR	3-0 X 2-0 91 X 61
GD GRILL	3-0 X 7-0 91 X 213
DOOR	

EXTENT	SQ. FT.	SQ. M.
PLOT	1219-75	113-31
PRO. BLDG	420-00	39-00
PLOT COVERAGE	34-43%	
F. S. I.	0-34	

COLOUR INDEX	
EXISTING	←
PROPOSALS	←
ROADS	←
SITE BOUNDARY	←
STAIR CASE DETAILS	
WIDTH	3-0" 91 CM
TREAD	0-10" 25 CM
RISE	0-7" 18 CM

PARALLEL  
NO. 118, FIRST FLOOR,  
KARUNEEGAR STREET,  
ADAMBAKKAM, MADRAS. 88.  
JOB NO 10/0494 DRG NO 561  
DATE 25-4-94  
SCALE 1/8" = 0' (1:100)  
DRN BY C. LAKSHMANAN

*S. Krishnan*  
SIGN. OF OWNER  
*S. Krishnan*  
LICENSED SURVEYOR & ENGINEERING CONSULTANT  
ULLAGARAM PUZHUTHIVAKKAM  
TOWN PANCHAYAT  
LICENSED SURVEYOR  
MADRAS 91.